

RADIAL LEADS CERAMIC CAPACITOR



FEATURES

Capacitance: 0.5pF~330μF

Voltage: 6.3V~3KV

Size:0805~2225

Lead-free terminations, RoHS Compliant

» APPLICATIONS

Typical applications include critical timing, tuning, circuits requiring low loss, circuits with pulse, high current, decoupling, bypass, filtering, transient voltage suppression, blocking and energy storage.

» ORDERING INFORMATION

CC4 — 0805 — CG — 50V — 100pF — J — H — L — T								
Series	Case size	Dielectric	Rated voltage	Capacitance	Capacitance tolerance	Wire form		Packaging
						Legform	Leglength	
CC4-CLASS II	0805	CG	4V 6.3V	Refer to Capacitance	<10pF C=±0.25pF D=±0.50pF ≥10pF J=±5%	L	H	See Packaging Style
	1206		10V 16V					
	1210		25V 50V					
	1812		100V 200V					
CT4G-CLASS II	2225	2X1 X5R	250V 500V	630V 1KV 2KV 3KV	K=±10% M=±20%			

Note: 2X1=X7R

» DIMENSIONS

Size code	0805	0805	1206	1210	1812	2225
Wmax	4.85	4.85	5.86	5.86	7.14	8.62
Hmax	4.16	4.16	4.36	4.80	6.00	8.62
Tmax	3.70	3.70	4.10	4.20	4.20	4.20
F	2.54±0.1	5.08±0.1	5.08±0.1	5.08±0.1	5.08±0.12	5.08±0.12
d	0.5±0.05	0.5±0.05	0.5±0.05	0.5±0.05	0.6±0.05	0.6±0.05
Length(Lmin)	25.4	25.4	25.4	25.4	25.4	25.4
Appearance						
Wire form	L	H		H		H

RADIAL LEADS CERAMIC CAPACITOR

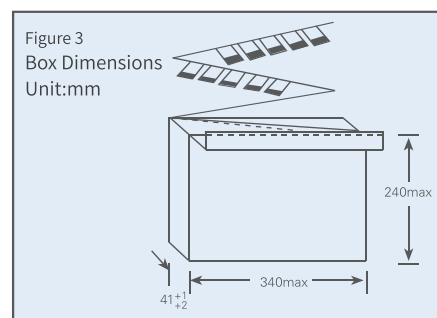
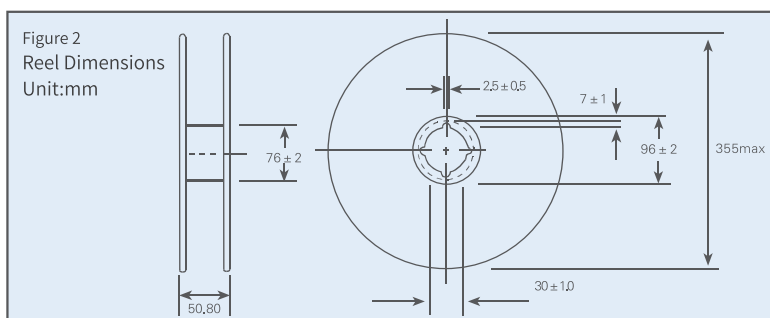
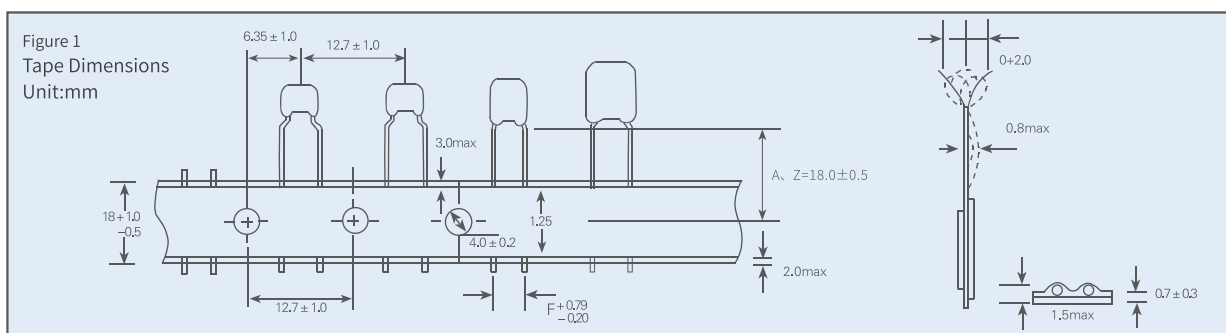
»» ELECTRICAL CHARACTERISTICS

NO.	Item		Specification Limits	Measuring Conditions
1	Capacitance		Within specified tolerance	
2	Dissipation Factor	CG	$C_R \leq 30\text{pF} \quad \text{tg } \delta \leq \frac{1}{(400+20C_R)}$ $C_R > 30\text{pF} \quad \text{tg } \delta \leq 10 \times 10^{-4}$	$C_R \leq 1000\text{pF} \quad 1\text{MHz} \pm 10\% \quad 0.5\text{V} \sim 5\text{V}$ $C_R > 1000\text{pF} \quad 1\text{kHz} \pm 10\% \quad 1\text{V} \pm 0.2\text{V}$
		2X1 X5R	$4\text{V} \leq U_R < 16\text{V} \quad \text{tg } \delta \leq 1000 \times 10^{-4}$ $16\text{V} \leq U_R < 25\text{V} \quad \text{tg } \delta \leq 700 \times 10^{-4}$ $25\text{V} \leq U_R < 50\text{V} \quad \text{tg } \delta \leq 500 \times 10^{-4}$ $U_R \geq 50\text{V} \quad \text{tg } \delta \leq 350 \times 10^{-4}$ ※Note: $C_R \geq 1\mu\text{F} \quad \text{tg } \delta \leq 10\%$;	2X1 & X5R: $C_R \leq 10\mu\text{F} \quad 1\text{kHz} \pm 10\% \quad 1\text{V} \pm 0.2\text{V}$ $C_R > 10\mu\text{F} \quad 120\text{Hz} \pm 10\% \quad 0.5\text{V} \pm 0.2\text{V}$
3	Insulation Resistance		10000MΩ or 100MΩ · μF whichever is less	Voltage shall be applied with follow conditions: $U_R \leq 500\text{V} \quad U_R$ $U_R > 500\text{V} \quad 500\text{V}$ Voltage applying time shall be 60 ± 5 seconds. Charging and discharging current shall be 50mA or less.
4	Dielectric Strength		No breakdown or visual defects	$U_R \leq 100\text{V} \quad 2.5U_R$ $100\text{V} < U_R \leq 200\text{V} \quad 1.5U_R + 100\text{V}$ $200\text{V} < U_R \leq 500\text{V} \quad 1.3U_R + 100\text{V}$ $U_R > 500\text{V} \quad 1.3U_R$ Voltage applying time shall be 5 seconds. Charging and discharging current shall be 50mA or less.

»» PACKAGING

PACKAGING STYLE

T=Bulk, A=Tape/Reel, B=Tape/Ammo



RADIAL LEADS CERAMIC CAPACITOR

» CAPACITANCE AND RATED VOLTAGE RANGE

CC4

Size code	0805							1206							1210							1812							2225															
Wire form	L.H							H							H							H							H															
Rated voltage(V)	50	100	200	250	500	630	1k	50	100	200	250	500	630	1k	2k	3k	50	100	200	250	500	630	1k	2k	3k	50	100	200	250	500	630	1k	2k	3k	25	50	100	200	250	500	630	1k	2k	3k
cap (pF)	0.5	1.0						0.5	1.0	1.5						0.5	1.0	1.5	2.2						0.5	1.0	1.5	2.2	3.3					0.5	1.0	1.5	2.2	3.3	4.7					
	1.2	1.5						1.2	1.5	2.2						1.2	1.5	2.2	3.3						1.2	1.5	2.2	3.3	4.7					1.2	1.5	2.2	3.3	4.7	6.8					
	1.8	2.2						1.8	2.2	3.3						1.8	2.2	3.3	4.7						1.8	2.2	3.3	4.7	6.8					1.8	2.2	3.3	4.7	6.8	10					
	2.7	3.3						2.7	3.3	4.7						2.7	3.3	4.7	6.8						2.7	3.3	4.7	6.8	10	15														
	3.9	4.7						3.9	4.7	6.8						3.9	4.7	6.8	10						3.9	4.7	6.8	10	15	22														
	5.6	6.8						5.6	6.8	10						5.6	6.8	10	15						5.6	6.8	10	15	22	33														
	8.2							8.2								8.2									8.2																			
	10							10								10									10																			
	12							12								12									12																			
	15							15								15									15																			
	18							18								18									18																			
	22							22								22									22																			
	27							27								27									27																			
	33							33								33									33																			
	39							39								39									39																			
	47							47								47									47																			
	56							56								56									56																			
	68							68								68									68																			
	82							82								82									82																			
	100							100								100									100																			
	120							120								120									120																			
	150							150								150									150																			
	180							180								180									180																			
	220							220								220									220																			
	270							270								270									270																			
	330							330								330									330																			
	390							390								390									390																			
	470							470								470									470																			
	560							560								560									560																			
	680							680								680									680																			
	820							820								820									820																			
	1000							1000								1000									1000																			
	1200							1200								1200									1200																			
	1500							1500								1500									1500																			
	1800							1800								1800									1800																			
	2200							2200								2200									2200																			
	2700							2700								2700									2700																			
	3300							3300								3300									3300																			
	3900							3900								3900									3900																			
	4700							4700								4700									4700																			
	5600							5600								5600									5600																			
	6800							6800								6800									6800																			
	8200							8200								8200									8200																			
cap (μF)	.010							.010								.010									.010																			
	.012							.012								.012									.012																			
	.015							.015								.015									.015																			
	.018							.018								.018									.018																			
	.022							.022								.022									.022																			
	.027							.027								.027									.027																			
	.033							.033								.033									.033																			
	.039							.039								.039									.039																			
	.047							.047								.047									.047																			
	.056							.056								.056									.056																			
	.068							.068								.068									.068																			
	.082							.082								.082									.082																			
	0.10							0.10								0.10									0.10																			
	0.12							0.12								0.12									0.12																			
	0.15							0.15								0.15									0.15																			
	0.18							0.18								0.18									0.18																			
	0.22							0.22								0.22									0.22																			
	0.27							0.27								0.27									0.27																			
	0.33							0.33								0.33									0.33																			
	0.39							0.39								0.39									0.39																			
	0.47							0.47								0.47									0.47																			

 CG

RADIAL LEADS CERAMIC CAPACITOR

» CAPACITANCE AND RATED VOLTAGE RANGE

CT4G

Size code	1812													2225								
Wire form	H													H								
Rated voltage(V)	6.3	10	16	25	50	100	200	250	500	630	1k	2k	3k	50	100	200	250	500	630	1k	2k	3k
cap 100 (pF)																						
120																						
150																						
180																						
220																						
270																						
330																						
390																						
470																						
560																						
680																						
820																						
1000																						
1200																						
1500																						
1800																						
2200																						
2700																						
3300																						
3900																						
4700																						
5600																						
6800																						
8200																						
cap .010 (μF)																						
.012																						
.015																						
.018																						
.022																						
.027																						
.033																						
.039																						
.047																						
.056																						
.068																						
.082																						
.10																						
.12																						
.15																						
.18																						
.22																						
.27																						
.33																						
.39																						
.47																						
.56																						
.68																						
.82																						
1.0																						
1.5																						
2.2																						
3.3																						
4.7																						
6.8																						
10.0																						
22.0																						
33.0																						
47.0																						
100.0																						
150.0																						
220.0																						

 2X1
 X5R